

SUPERSHOW

H 117 • 135
P 110
L 120 • 170 • 220 • AE45

Gelato

	TN	TB	TB/TN	TC	TC/TN	N
	Chiller	Freezer	Dual Temp	Heated	Hot&Cold	Non-refrigerated
RS - Static						
RV - Ventilated		•	•			
RS/TC S - Static and Dry Heat convertible						
RV/TC S - Ventilated / Dry Heat convertible						
HUR - Meat						
CH - Chocolate						
TC S - Dry Heat						
TC BM - Bainmarie						
N - Non-refrigerated						



Dual temperature



Installation

- Plug-in
- Remote (optional)

Configuration

- Canalized (optional)
- Dual Temperature (optional)

Temperature

-20/+2 °C

Refrigerant

R290

Refrigeration

Ventilated

Compressor

Semi-Hermetic

Defrost

Reverse cycle

Climate class

4

Upper glass

Heated stratified with switch

Front glass

Heated stratified

Side glasses

Heated double

Opening system

Openable glass structure towards the bottom

Rear closing system

Plexiglass Sliding doors

Work top

- Solid surface White
- Fenix Black

Lighting

Led 5700 K

Equipment handling

Swivel casters with brake and height adjustable feet

Installazione

- Plug-in
- Remoto (optional)

Configurazione

- Canalizzabile (optional)
- Dual Temperature (optional)

Temperatura

-20/+2 °C

Refrigerante

R290

Refrigerazione

Ventilata

Compressore

Semi-Ermetico

Sbrinamento

Inversione di ciclo

Classe Climatica

4

Vetro superiore

Stratificato riscaldato (disattivabile)

Vetro frontale

Stratificato riscaldato

Vetri laterali

Doppio (camera) riscaldato

Apertura anteriore

Apertura ribaltabile verso il basso

Chiusura posteriore

Scorrevoli in Plexiglass

Piano di servizio

- Superficie solida bianca
- Fenix Nero

Illuminazione

Led 5700 K

Movimentazione

Ruote pivotanti con freno e piedini regolabili in altezza

SUPERSHOW GELATO		Model type	Total display area	Temperature class	Recommended temperature	Energy class	Energy efficiency index	Annual energy consumption	Light source type and class
Height	Length	Tipo di banco	Superficie espositiva totale m ²	Classe di temperatura	Temperatura consigliata °C	Classe energetica	Indice di efficienza energetica EEI	Consumo annuo AEC kWh/A	Tipo e classe illuminazione
H117	120	IGF1	1,09	G2	-15°C	E	*	*	-
	170	IGF1	1,57	G2	-15°C	E	*	*	-
	220	IGF1	2,05	G2	-15°C	E	*	*	-
H135	120	IGF1	1,09	G2	-15°C	E	*	*	-
	170	IGF1	1,57	G2	-15°C	E	*	*	-
	220	IGF1	2,05	G2	-15°C	E	*	*	-

Configuration: air cooled plug in unit R290, plexiglass sliding doors closure, led lighting.

Configurazione: motore a bordo ad aria R290, chiusura porte scorrevoli in plexiglass, illuminazione led.

* Available on request

Dati disponibili su richiesta

Алматы (727)345-47-04
Ангарск (3955)60-70-56
Архангельск (8182)63-90-72
Барнаул (3852)73-04-60
Белгород (4722)40-23-64
Благовещенск (4162)22-76-07
Брянск (4832)59-03-52
Владивосток (423)249-28-31
Владикавказ (8672)28-90-48
Владимир (4922)49-43-18
Волгоград (844)278-03-48
Вологда (8172)26-41-59
Воронеж (473)204-51-73
Екатеринбург (343)384-55-89

Иваново (4932)77-34-06
Ижевск (3412)26-03-58
Иркутск (395)279-98-46
Казань (843)206-01-48
Калининград (4012)72-03-81
Калуга (4842)92-23-67
Кемерово (3842)65-04-62
Киров (8332)68-02-04
Коломна (4966)23-41-49
Кострома (4942)77-07-48
Краснодар (861)203-40-90
Красноярск (391)204-63-61
Курск (4712)77-13-04
Курган (3522)50-90-47
Липецк (4742)52-20-81

Магнитогорск (3519)55-03-13
Москва (495)268-04-70
Мурманск (8152)59-64-93
Набережные Челны (8552)20-53-41
Нижний Новгород (831)429-08-12
Новокузнецк (3843)20-46-81
Ноябрьск (3496)41-32-12
Новосибирск (383)227-86-73
Омск (3812)21-46-40
Орел (4862)44-53-42
Оренбург (3532)37-68-04
Пенза (8412)22-31-16
Петрозаводск (8142)55-98-37
Псков (8112)59-10-37
Пермь (342)205-81-47

Ростов-на-Дону (863)308-18-15
Рязань (4912)46-61-64
Самара (846)206-03-16
Санкт-Петербург (812)309-46-40
Саратов (845)249-38-78
Севастополь (8692)22-31-93
Саранск (8342)22-96-24
Симферополь (3652)67-13-56
Смоленск (4812)29-41-54
Сочи (862)225-72-31
Ставрополь (8652)20-65-13
Сургут (3462)77-98-35
Сыктывкар (8212)25-95-17
Тамбов (4752)50-40-97
Тверь (4822)63-31-35

Тольятти (8482)63-91-07
Томск (3822)98-41-53
Тула (4872)33-79-87
Тюмень (3452)66-21-18
Ульяновск (8422)24-23-59
Улан-Удэ (3012)59-97-51
Уфа (347)229-48-12
Хабаровск (4212)92-98-04
Чебоксары (8352)28-53-07
Челябинск (351)202-03-61
Череповец (8202)49-02-64
Чита (3022)38-34-83
Якутск (4112)23-90-97
Ярославль (4852)69-52-93

Россия +7(495)268-04-70

Казахстан +7(727)345-47-04

Беларусь +375(257)127-884

Узбекистан +998(71)205-18-59

Киргизия +996(312)96-26-47




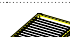

Supershow Gelato

		120	155	170
External dimensions (LxDxH)	H117	1187 x 1105 x 1170 mm	1517 x 1105 x 1170 mm	1682 x 1105 x 1170 mm
Dimensioni esterne (LxPxH)	H135	1187 x 1105 x 1350 mm	1517 x 1105 x 1350 mm	1682 x 1105 x 1350 mm
Capacity (gross/net)	H117	685 / 147 lt	901 / 193 lt	1009 / 216 lt
Capacità (lorda/netta)	H135	824 / 147 lt	1083 / 193 lt	1212 / 216 lt
Net weight	H117	320 kg	368 kg	409 kg
Peso netto	H135	331 kg	382 kg	419 kg
Refrigeration		Ventilated		
Refrigerazione		Ventilata		
Refrigerant		R290		
Refrigerante				
Climate class		4		
Classe climatica				
Operating conditions		30 °C / 55 %RH		
Condizioni ambientali				
Cabinet capacity range		-20/+2 °C		
Temperatura di regolazione				
Product temperature		-16/-14 °C		
Temperatura prodotto				
Compressor (type)		1 Semi-Hermetic		
Compressore (tipologia)		1 Semi-Ermetico		
Defrost		Reverse Cycle		
Sbrinamento		Inversione di Ciclo		
Power supply		400 V / 3 Ph / 50 Hz		
Alimentazione				
Electrical input (nominal)				
Assorbimento elettrico (regime)		1740 W / 3,1 A	2470 W / 6,3 A	2780 W / 6,8 A
Electrical input (defrost)				
Assorbimento elettrico (sbrinamento)		3260 W / 7,9 A	3870 W / 8,5 A	4250 W / 9,6 A




Technical sheet about models whit condensing unit included with air cooled
 Dati tecnici riferiti a modelli con unità a bordo con condensazione ad aria

Setup

Allestimento

5 Lt 360 x 165 x 120 h		12	16	18
5 Lt 360 x 250 x 80 h		8	10	12
5 Lt (trapezoidali) 360 x 185 x 120 h		-	-	-
Ice cream stick container Stecchi vaschetta		•	•	•
Single portions container Monoporzioni		•	•	•
Pastry tray (LxD) Vassoio pasticceria (LxP)		-	-	-

Available colours - Colori disponibili

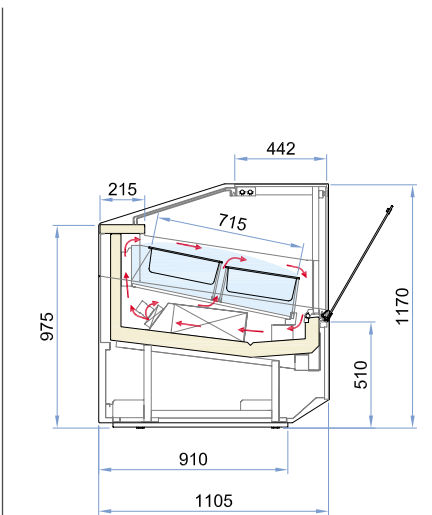
Front panel (1) Pannello frontale	Front grid (2) Griglia frontale	Side panels (3) Fianchi laterali
<ul style="list-style-type: none">  RAL on request Standard / Di serie 	<ul style="list-style-type: none">  RAL 9005 Standard / Di serie 	<ul style="list-style-type: none">  RAL on request Standard / Di serie



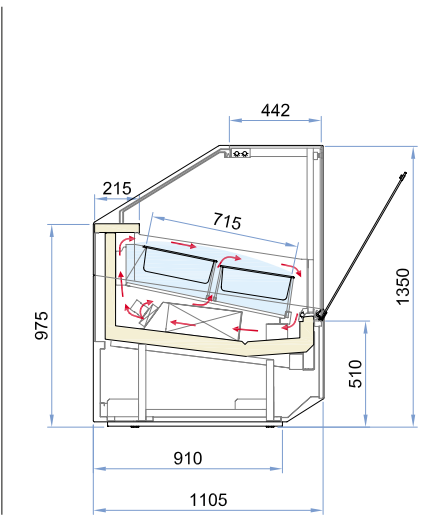
	190	220	AE45
1847 x 1105 x 1170 mm	1847 x 1105 x 1170 mm	2177 x 1105 x 1170 mm	1847 x 1105 x 1170 mm
1847 x 1105 x 1350 mm	1847 x 1105 x 1350 mm	2177 x 1105 x 1350 mm	1847 x 1105 x 1350 mm
1116 / 239 lt	1116 / 239 lt	1332 / 285 lt	901 / 193 lt
1341 / 239 lt	1341 / 239 lt	1600 / 285 lt	1082 / 193 lt
459 kg	459 kg	510 kg	400 kg
468 kg	468 kg	520 kg	410 kg
		Ventilated	
		Ventilata	
		R290	
		4	
		30 °C / 55 %RH	
		-20/+2 °C	
		-16/-14 °C	
		1 Semi-Hermetic	
		1 Semi-Ermetico	
		Reverse Cycle	
		Inversione di Ciclo	
		400 V / 3 Ph / 50 Hz	
	3600 W / 9,7 A	3950 W / 9,9 A	2300 W / 5,5 A
	4600 W / 10,8 A	5040 W / 11,4 A	3600 W / 8,5 A

20	24	13
12	16	9
-	-	14
•	•	9
•	•	9
-	-	-

H117



H135



SUPERSHOW

H 117 • 135

P 110

L 120 • 170 • 220 • AE45

Pastry

A G	TN	TB	TB/TN	TC	TC/TN	N
	Chiller	Freezer	Dual Temp	Heated	Hot&Cold	Non-refrigerated
RS - Static						
RV - Ventilated	•					
RS/TC S - Static and Dry Heat convertible						
RV/TC S - Ventilated / Dry Heat convertible						
HUR - Meat						
CH - Chocolate						
TC S - Dry Heat						
TC BM - Bainmarie						
N - Non-refrigerated						

SUPERSHOW PASTRY		Model type Tipo di banco	Total display area Superficie espositiva totale m²	Temperature class Classe di temperatura	Recommended temperature Temperatura consigliata °C	Energy class Classe energetica	Energy efficiency index Indice di efficienza energetica EEI	Annual energy consumption Consumo annuo AEC kWh/A	Light source type and class Tipo e classe illuminazione
Height Altezza	Length Lunghezza								
H117	120	IVC4	1,06	M1	2°C	E	*	*	-
	170	IVC4	1,49	M1	2°C	E	*	*	-
	220	IVC4	1,92	M1	2°C	E	*	*	-
H135	120	IVC4	1,06	M1	2°C	E	*	*	-
	170	IVC4	1,49	M1	2°C	E	*	*	-
	220	IVC4	1,92	M1	2°C	E	*	*	-

Configuration: air cooled plug in unit R290, self-rolling curtain closure, led lighting, illuminated shelves.
Configurazione: motore a bordo ad aria, chiusura tendina manuale autoavvolgente, illuminazione led, mensole illuminate.

* Available on request
Dati disponibili su richiesta

Installation

- Plug-in
- Remote (optional)

Configuration

- Canalized (optional)
- Shelf 1 (H117)
- Shelves 2 (H135)

Temperature

+1/+10 °C

Refrigerant

R290

Refrigeration

Ventilated

Compressor

Hermetic

Defrost

Off cycle

Climate class

3

Upper glass

Heated stratified with switch

Front glass

Heated stratified

Side glasses

Heated double

Opening system

Openable glass structure towards the bottom

Rear closing system

Plexiglass Sliding doors

Work top

- Solid surface White
- Fenix Black

Lighting

Led 5700 K

Equipment handling

Swivel casters with brake and height adjustable feet

Installazione

- Plug-in
- Remoto (optional)

Configurazione

- Canalizzabile (optional)
- 1 Mensola (H117)
- 2 Mensole (H135)

Temperatura

+1/+10 °C

Refrigerante

R290

Refrigerazione

Ventilata

Compressore

Ermetico

Sbrinamento

Fermata compressore

Classe Climatica

3

Vetro superiore

Stratificato riscaldato (disattivabile)

Vetro frontale

Stratificato riscaldato

Vetri laterali

Doppio (camera) riscaldato

Apertura anteriore

Apertura ribaltabile verso il basso

Chiusura posteriore

Scorrevoli in Plexiglass

Piano di servizio

- Superficie solida bianca
- Fenix Nero

Illuminazione

Led 5700 K

Movimentazione

Ruote pivotanti con freno e piedini regolabili in altezza



		120	170	220
External dimensions (LxDxH) Dimensioni esterne (LxPxH)	H117 H135	1187 x 1105 x 1170 mm 1187 x 1105 x 1350 mm	1682 x 1105 x 1170 mm 1682 x 1105 x 1350 mm	2177 x 1105 x 1170 mm 2177 x 1105 x 1350 mm
Capacity (gross/net) Capacità (lorda/netta)	H117 H135	685 / 267 lt 824 / 267 lt	1009 / 393 lt 1212 / 393 lt	1332 / 518 lt 1600 / 518 lt
Net weight Peso netto	H117 H135	320 kg 331 kg	380 kg 390 kg	410 kg 419 kg
Refrigeration Refrigerazione		Ventilated Ventilata		
Refrigerant Refrigerante		R290		
Climate class Classe climatica		3		
Operating conditions Condizioni ambientali		25 °C / 60 %RH		
Product temperature Temperatura prodotto		+1/+10 °C		
Compressor (type) Compressore (tipologia)		1 Hermetic 1 Ermetico		
Defrost Sbrinamento		Off Cycle Fermata compressore		
Power supply Alimentazione		230 V / 1 Ph / 50 Hz		
Electrical input (nominal) Assorbimento elettrico (regime)		690 W / 6 A	840 W / 7 A	1230 W / 9 A
Electrical input (defrost) Assorbimento elettrico (sbrinamento)		200 W / 3 A	230 W / 3 A	370 W / 4 A




Technical sheet about models whit condensing unit included with air cooled
Dati tecnici riferiti a modelli con unità a bordo con condensazione ad aria

Setup

Allestimento

Pastry tray (LxD) Vassoio pasticceria (LxP)		1046x770 mm	1541x770 mm	2036x770 mm
Shelf (LxD) Mensola (LxP)		1148x240 mm	1643x240 mm	2138x240 mm

Available colours - Colori disponibili

Front panel (1) Pannello frontale	Front grid (2) Griglia frontale	Side panels (3) Fianchi laterali
<ul style="list-style-type: none">  RAL on request Standard / Di serie 	<ul style="list-style-type: none">  RAL 9005 Standard / Di serie 	<ul style="list-style-type: none">  RAL on request Standard / Di serie



Алматы (727)345-47-04
Ангарск (3955)60-70-56
Архангельск (8182)63-90-72
Астрахань (8512)99-46-04
Барнаул (3852)73-04-60
Белгород (4722)40-23-64
Благовещенск (4162)22-76-07
Брянск (4832)59-03-52
Владивосток (423)249-28-31
Владикавказ (8672)28-90-48
Владимир (4922)49-43-18
Волгоград (844)278-03-48
Вологда (8172)26-41-59
Воронеж (473)204-51-73
Екатеринбург (343)384-55-89

Россия +7(495)268-04-70

Иваново (4932)77-34-06
Ижевск (3412)26-03-58
Иркутск (395)279-98-46
Казань (843)206-01-48
Калининград (4012)72-03-81
Калуга (4842)92-23-67
Кемерово (3842)65-04-62
Киров (8332)68-02-04
Коломна (4966)23-41-49
Кострома (4942)77-07-48
Краснодар (861)203-40-90
Красноярск (391)204-63-61
Курск (4712)77-13-04
Курган (3522)50-90-47
Липецк (4742)52-20-81

Казахстан +7(727)345-47-04

Магнитогорск (3519)55-03-13
Москва (495)268-04-70
Мурманск (8152)59-64-93
Набережные Челны (8552)20-53-41
Нижний Новгород (831)429-08-12
Новокузнецк (3843)20-46-81
Ноябрьск (3496)41-32-12
Новосибирск (383)227-86-73
Омск (3812)21-46-40
Орел (4862)44-53-42
Оренбург (3532)37-68-04
Пенза (8412)22-31-16
Петрозаводск (8142)55-98-37
Псков (8112)59-10-37
Пермь (342)205-81-47

Беларусь +(375)257-127-884

Ростов-на-Дону (863)308-18-15
Рязань (4912)46-61-64
Самара (846)206-03-16
Санкт-Петербург (812)309-46-40
Саратов (845)249-38-78
Севастополь (8692)22-31-93
Саранск (8342)22-96-24
Симферополь (3652)67-13-56
Смоленск (4812)29-41-54
Сочи (862)225-72-31
Ставрополь (8652)20-65-13
Сургут (3462)77-98-35
Сыктывкар (8212)25-95-17
Тамбов (4752)50-40-97
Тверь (4822)63-31-35

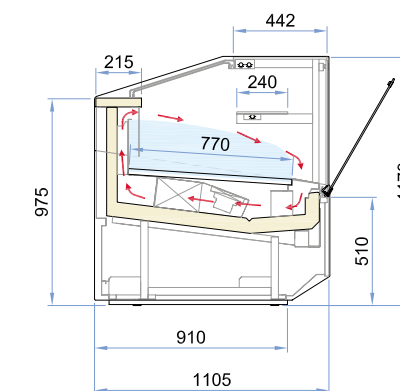
Узбекистан +998(71)205-18-59

Тольятти (8482)63-91-07
Томск (3822)98-41-53
Тула (4872)33-79-87
Тюмень (3452)66-21-18
Ульяновск (8422)24-23-59
Улан-Удэ (3012)59-97-51
Уфа (347)229-48-12
Хабаровск (4212)92-98-04
Чебоксары (8352)28-53-07
Челябинск (351)202-03-61
Череповец (8202)49-02-64
Чита (3022)38-34-83
Якутск (4112)23-90-97
Ярославль (4852)69-52-93

Киргизия +996(312)96-26-47

AE45

1847 x 1105 x 1170 mm 1847 x 1105 x 1350 mm
901 / 193 lt 1082 / 193 lt
444 kg 454 kg
Ventilated Ventilata
R290
3
25 °C / 60 %RH
+1/+10 °C
1 Hermetic 1 Ermetico
Off Cycle Fermata compressore
230 V / 1 Ph / 50 Hz
690 W / 6 A
200 W / 3 A

H117**H135**