

Высокие стойки для закусок SNK80-A

Технические характеристики

По вопросам продаж и поддержки обращайтесь:

Алматы (727)345-47-04
Ангарск (3955)60-70-56
Архангельск (8182)63-90-72
Астрахань (8512)99-46-04
Барнаул (3852)73-04-60
Белгород (4722)40-23-64
Благовещенск (4162)22-76-07
Брянск (4832)59-03-52
Владивосток (423)249-28-31
Владикавказ (8672)28-90-48
Владимир (4922)49-43-18
Волгоград (844)278-03-48
Вологда (8172)26-41-59
Воронеж (473)204-51-73
Екатеринбург (343)384-55-89

Иваново (4932)77-34-06
Ижевск (3412)26-03-58
Иркутск (395)279-98-46
Казань (843)206-01-48
Калининград (4012)72-03-81
Калуга (4842)92-23-67
Кемерово (3842)65-04-62
Киров (8332)68-02-04
Коломна (4966)23-41-49
Кострома (4942)77-07-48
Краснодар (861)203-40-90
Красноярск (391)204-63-61
Курск (4712)77-13-04
Курган (3522)50-90-47
Липецк (4742)52-20-81

Магнитогорск (3519)55-03-13
Москва (495)268-04-70
Мурманск (8152)59-64-93
Набережные Челны (8552)20-53-41
Нижний Новгород (831)429-08-12
Новокузнецк (3843)20-46-81
Ноябрьск (3496)41-32-12
Новосибирск (383)227-86-73
Омск (3812)21-46-40
Орел (4862)44-53-42
Оренбург (3532)37-68-04
Пенза (8412)22-31-16
Петрозаводск (8142)55-98-37
Псков (8112)59-10-37
Пермь (342)205-81-47

Ростов-на-Дону (863)308-18-15
Рязань (4912)46-61-64
Самара (846)206-03-16
Санкт-Петербург (812)309-46-40
Саратов (845)249-38-78
Севастополь (8692)22-31-93
Саранск (8342)22-96-24
Симферополь (3652)67-13-56
Смоленск (4812)29-41-54
Сочи (862)225-72-31
Ставрополь (8652)20-65-13
Сургут (3462)77-98-35
Сыктывкар (8212)25-95-17
Тамбов (4752)50-40-97
Тверь (4822)63-31-35

Тольятти (8482)63-91-07
Томск (3822)98-41-53
Тула (4872)33-79-87
Тюмень (3452)66-21-18
Ульяновск (8422)24-23-59
Улан-Удэ (3012)59-97-51
Уфа (347)229-48-12
Хабаровск (4212)92-98-04
Чебоксары (8352)28-53-07
Челябинск (351)202-03-61
Череповец (8202)49-02-64
Чита (3022)38-34-83
Якутск (4112)23-90-97
Ярославль (4852)69-52-93

Россия +7(495)268-04-70

Казахстан +(727)345-47-04

Беларусь +(375)257-127-884

Узбекистан +998(71)205-18-59

Киргизия +996(312)96-26-47

эл.почта: iah@nt-rt.ru || сайт: <https://isa.nt-rt.ru/>

SNK80-A

Snack display cabinet with high deck

H 117-135

P 80

L 100-125-150-175-200



TN RV - Ventilated
TN RV - Ventilated with refrigerated storage
TN RV PC - Ventilated and hot plate convertible
TN RV PC - Ventilated and hot plate convertible with refrigerated storage

TN RV CH - Chocolate display
TN RV CH - Chocolate display with refrigerated storage
TC S - Dry heat



Closing system with slides in transparent methacrylate with easy sliding system. Stainless steel worktop



Steel cabinet base with adjustable feet. Wheels optional.

SNK80-A

SNK80-A

Snack display cabinet with high deck corner unit

H 117-135

P 80

L TDX150-TSX150

Glass shelves
(with LED lighting option)

Tempered glass
with extra clear finish
with Led lighting.
Available in two heights
H117 and H135

Tilt front glass
for ease of cleaning



TN RV - Ventilata

TN RV PC - Ventilated and hot plate convertible

TN RV CH - Chocolate display

TC S - Dry heat



R290

Closing system with slides in transparent methacrylate with easy sliding system. Stainless steel worktop



Steel cabinet base with adjustable feet

SNK80-A

Glass structure configurations

Tilt front glass



**Glass structure
with tilt front,
LED lighting
and sliding doors**

H 117



5.700 K
4.000 K

Tilt front glass

Intermediate shelves
with lighting and heating option



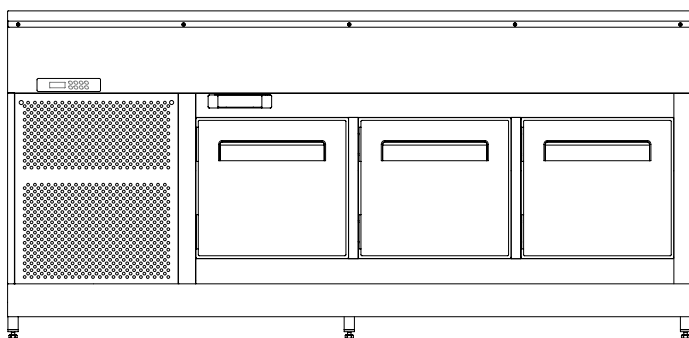
**Glass structure
with tilt front,
LED lighting
and sliding doors**

H 135



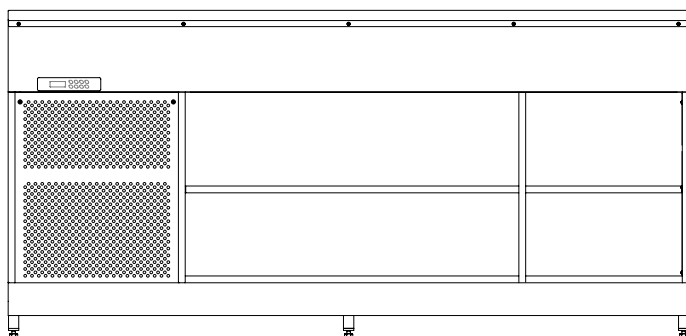
5.700 K
4.000 K

Operator side



TN refrigerated storage

Module length	UCB (plug-in)	UCR (remote)
100	-	-
125	-	2-door
150	2-door	2-door
175	2-door	3-door
200	2 or 3 door	2 or 3 door
TDX	-	-
TSX	-	-



Open storage

Open storage with height adjustable shelves.

Customization



**Display deck,
front profile
and side profiles
can be customized.**

Black RAL 9004
RAL choice



**Hot plate in ceramic
material Laminam™**

Dark grey finish

Cross sections

TN RV

TN RV PC

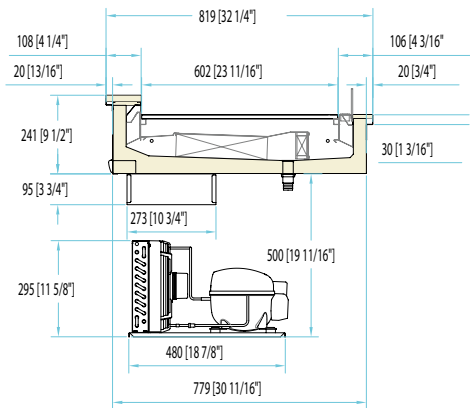
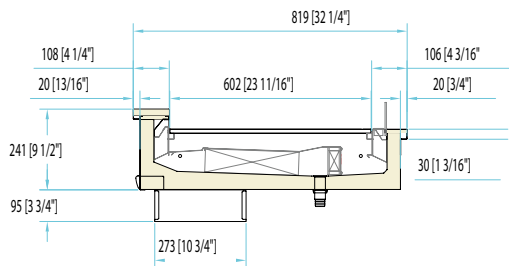
TN RV CH

H 117-135

P 80

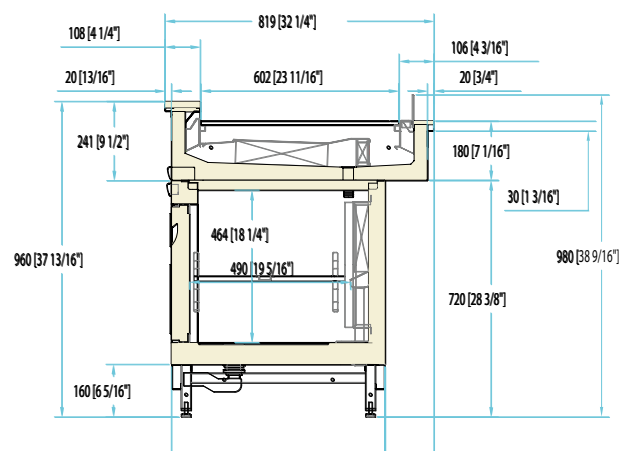
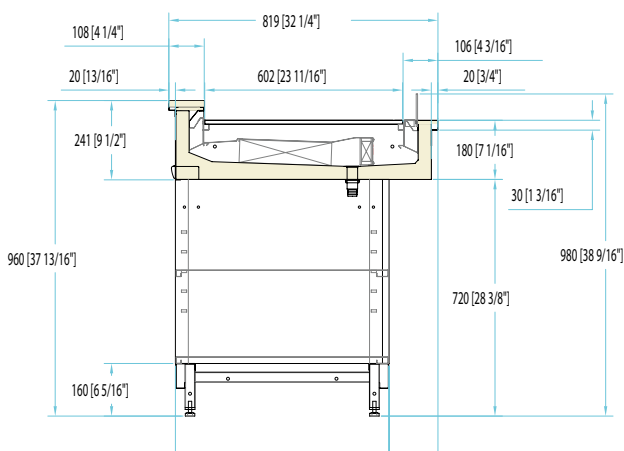
L 100-125-150-175-200

TDX150-TSX150



Well

Well with factory-connected condensing unit

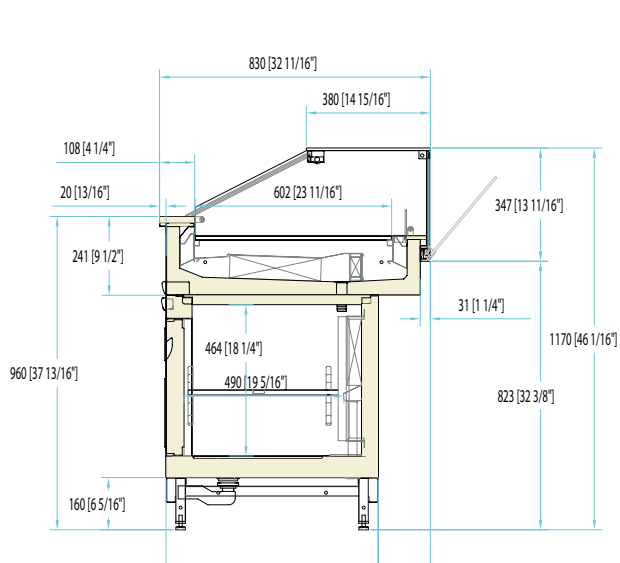


Well on neutral counter base

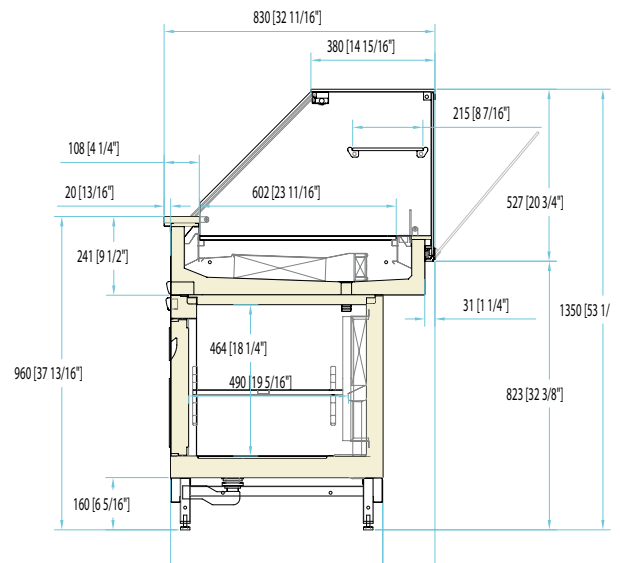
Well on refrigerated storage counter base

TN RV - Ventilated
TN RV - Ventilated with refrigerated storage
TN RV PC - Ventilated and hot plate convertible
TN RV PC - Ventilated and hot plate convertible with refrigerated storage

TN RV CH - Chocolate display
TN RV CH - Chocolate display with refrigerated storage
TC S - Dry heat



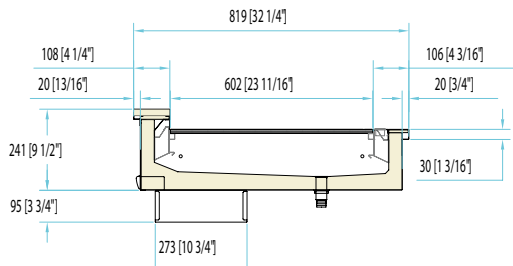
H117 Display cabinet with lighted tilt glass structure and refrigerated storage



H135 Display cabinet with lighted tilt glass structure and refrigerated storage

SNK80-A

Cross sections TC S



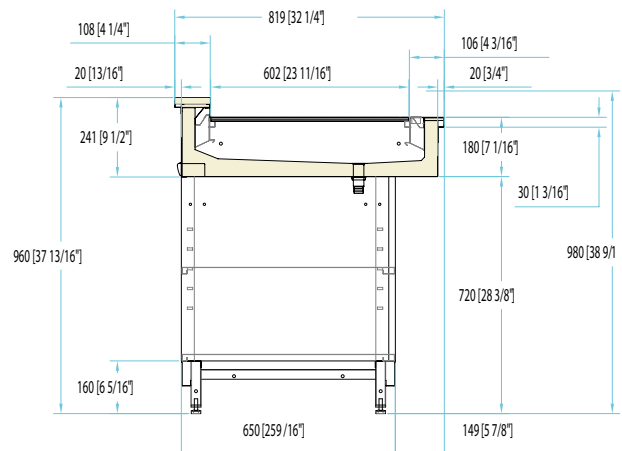
Well

H 117-135

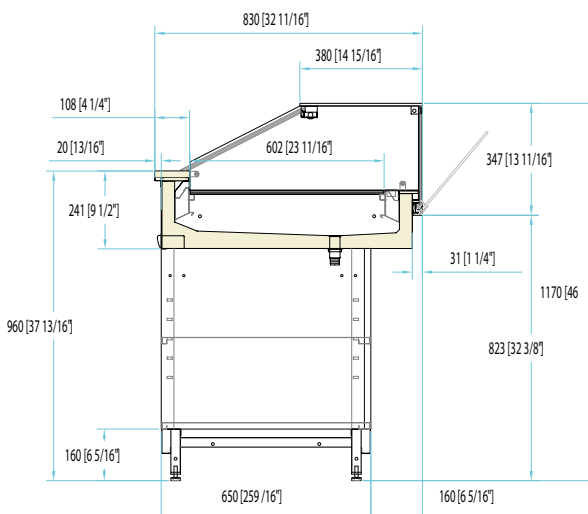
P 80

L 100-125-150-175-200

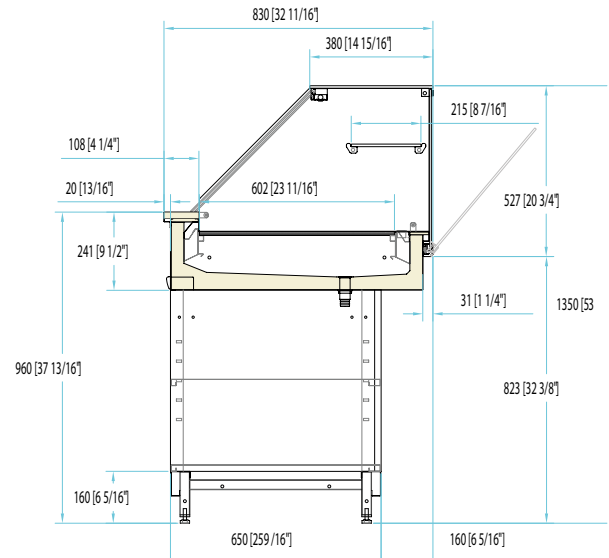
TDX150-TSX150



Well on neutral counter base



H117 Display cabinet with lighted tilt glass structure and refrigerated storage







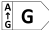
H135 Display cabinet with lighted tilt glass structure and refrigerated storage

Technical data

UCB plug-in condensing unit

MODULE LENGTH	100	125	150	175	200
Climate class	3				
Climate conditions	25°C/60% UR				
Ventilated refrigeration operating temperature	-1/+7 °C				
Chocolate display operating temperature	+14/+16 °C				
Hot plate operating temperature	65 °C				
Compressors [q.ty/ type]	1/ hermetic				
Defrost	compressor off-cycle				
Power Supply [V/hz]	230/50				
Refrigerant	R290				

VENTILATA

Heat extraction rate (Ørun) [W@-10]	721	721	934	934	1099
Rated absorbed power [W/A]	411/2,9	418/3	498/3,6	504/3,65	567/4,1
Absorbed power during defrost [W/A]	56/0,4	63/0,45	78/0,56	84/0,61	97/0,7
Energy class					

CHOCOLATE DISPLAY

Heat extraction rate (Ørun) [W@-10]	721	721	721	934	1099
Rated absorbed power [W/A]	595/2,69	502/2,72	597/3,2	603/3,3	788/4,3
Absorbed power during defrost [W/A]	242/1,32	249/1,35	307/1,66	313/1,7	450/2,44

DRY HEAT

Rated absorbed power [W/A]	740/3,6	930/4,5	1120/5,4	1320/6,4	1500/7,2
----------------------------	---------	---------	----------	----------	----------

VENTILATED REFRIGERATION - UCR remote condensing unit

MODULE LENGTH	100	125	150	175	200
Refrigerants	R404A/ R452A				
Climate class	4				
Climate conditions	30°C/55% UR				
Defrost	compressor off-cycle				
Power Supply [V/hz]	230/50				
Absorbed power [W/A]	56	63	78	84	97
Absorbed power of remote condensing unit [W]	486	486	760	760	660
Condensing unit weight [kg]	14,8	14,8	20	20	25,5
Condensing unit dimensions LxDxH[mm]	480x330x295	480x330x295	500x330x297	500x330x297	490x385x295
Refrigerant piping diameter: Liquid/Suction 0-15mt	12/8	12/8	12/8	12/8	12/8
Refrigerant piping diameter : Liquid/Suction 16-30mt	14/8	14/8	14/8	14/8	14/8

CHOCOLATE DISPLAY - UCR remote condensing unit

MODULE LENGTH	100	125	150	175	200
Refrigerants	R404A/ R452A				
Climate class	4				
Climate conditions	30°C/55% UR				
Defrost	compressor off-cycle				
Power Supply [V/hz]	230/50				
Absorbed power [W/A]	243	249	307	313	450
Absorbed power of remote condensing unit [W]	486	486	486	760	760
Condensing unit weight [kg]	14,8	14,8	14,8	20	25,5
Condensing unit dimensions LxDxH[mm]	480x330x295	480x330x295	480x330x295	500x330x297	500x330x297
Refrigerant piping diameter: Liquid/Suction 0-15mt	12/8	12/8	12/8	12/8	12/8
Refrigerant piping diameter : Liquid/Suction 16-30mt	14/8	14/8	14/8	14/8	14/8

По вопросам продаж и поддержки обращайтесь:

Алматы (727)345-47-04
Ангарск (3955)60-70-56
Архангельск (8182)63-90-72
Астрахань (8512)99-46-04
Барнаул (3852)73-04-60
Белгород (4722)40-23-64
Благовещенск (4162)22-76-07
Брянск (4832)59-03-52
Владивосток (423)249-28-31
Владикавказ (8672)28-90-48
Владимир (4922)49-43-18
Волгоград (844)278-03-48
Вологда (8172)26-41-59
Воронеж (473)204-51-73
Екатеринбург (343)384-55-89

Иваново (4932)77-34-06
Ижевск (3412)26-03-58
Иркутск (395)279-98-46
Казань (843)206-01-48
Калининград (4012)72-03-81
Калуга (4842)92-23-67
Кемерово (3842)65-04-62
Киров (8332)68-02-04
Коломна (4966)23-41-49
Кострома (4942)77-07-48
Краснодар (861)203-40-90
Красноярск (391)204-63-61
Курск (4712)77-13-04
Курган (3522)50-90-47
Липецк (4742)52-20-81

Магнитогорск (3519)55-03-13
Москва (495)268-04-70
Мурманск (8152)59-64-93
Набережные Челны (8552)20-53-41
Новокузнецк (3843)20-46-81
Ноябрьск (3496)41-32-12
Новосибирск (383)227-86-73
Омск (3812)21-46-40
Орел (4862)44-53-42
Оренбург (3532)37-68-04
Пенза (8412)22-31-16
Петрозаводск (8142)55-98-37
Псков (8112)59-10-37
Пермь (342)205-81-47

Ростов-на-Дону (863)308-18-15
Рязань (4912)46-61-64
Самара (846)206-03-16
Санкт-Петербург (812)309-46-40
Саратов (845)249-38-78
Севастополь (8692)22-31-93
Саранск (8342)22-96-24
Симферополь (3652)67-13-56
Смоленск (4812)29-41-54
Сочи (862)225-72-31
Ставрополь (8652)20-65-13
Сургут (3462)77-98-35
Сыктывкар (8212)25-95-17
Тамбов (4752)50-40-97
Тверь (4822)63-31-35

Тольятти (8482)63-91-07
Томск (3822)98-41-53
Тула (4872)33-79-87
Тюмень (3452)66-21-18
Ульяновск (8422)24-23-59
Улан-Удэ (3012)59-97-51
Уфа (347)229-48-12
Хабаровск (4212)92-98-04
Чебоксары (8352)28-53-07
Челябинск (351)202-03-61
Череповец (8202)49-02-64
Чита (3022)38-34-83
Якутск (4112)23-90-97
Ярославль (4852)69-52-93

Россия +7(495)268-04-70

Казахстан +(727)345-47-04

Беларусь +(375)257-127-884

Узбекистан +998(71)205-18-59

Киргизия +996(312)96-26-47

эл.почта: iah@nt-rt.ru || сайт: <https://isa.nt-rt.ru/>