



Pentagram Beta

Алматы (727)345-47-04
Ангарск (3955)60-70-56
Архангельск (8182)63-90-72
Астрахань (8512)99-46-04
Барнаул (3852)73-04-60
Белгород (4722)40-23-64
Благовещенск (4162)22-76-07
Брянск (4832)59-03-52
Владивосток (423)249-28-31
Владикавказ (8672)28-90-48
Владимир (4922)49-43-18
Волгоград (844)278-03-48
Вологда (8172)26-41-59
Воронеж (473)204-51-73
Екатеринбург (343)384-55-89

Россия +7(495)268-04-70

Иваново (4932)77-34-06
Ижевск (3412)26-03-58
Иркутск (395)279-98-46
Казань (843)206-01-48
Калининград (4012)72-03-81
Калуга (4842)92-23-67
Кемерово (3842)65-04-62
Киров (8332)68-02-04
Коломна (4966)23-41-49
Кострома (4942)77-07-48
Краснодар (861)203-40-90
Красноярск (391)204-63-61
Курск (4712)77-13-04
Курган (3522)50-90-47
Липецк (4742)52-20-81

Казахстан +7(727)345-47-04

Магнитогорск (3519)55-03-13
Москва (495)268-04-70
Мурманск (8152)59-64-93
Набережные Челны (8552)20-53-41
Нижний Новгород (831)429-08-12
Новокузнецк (3843)20-46-81
Новыйорск (3496)41-32-12
Новосибирск (383)227-86-73
Омск (3812)21-46-40
Орел (4862)44-53-42
Оренбург (3532)37-68-04
Пенза (8412)22-31-16
Петрозаводск (8142)55-98-37
Псков (8112)59-10-37
Пермь (342)205-81-47

Беларусь +(375)257-127-884

Ростов-на-Дону (863)308-18-15
Рязань (4912)46-61-64
Самара (846)206-03-16
Санкт-Петербург (812)309-46-40
Саратов (845)249-38-78
Севастополь (8692)22-31-93
Саранск (8342)22-96-24
Симферополь (3652)67-13-56
Смоленск (4812)29-41-54
Сочи (862)225-72-31
Ставрополь (8652)20-65-13
Сургут (3462)77-98-35
Сыктывкар (8212)25-95-17
Тамбов (4752)50-40-97
Тверь (4822)63-31-35

Узбекистан +998(71)205-18-59

Тольятти (8482)63-91-07
Томск (3822)98-41-53
Тула (4872)33-79-87
Тюмень (3452)66-21-18
Ульяновск (8422)24-23-59
Улан-Удэ (3012)59-97-51
Уфа (347)229-48-12
Хабаровск (4212)92-98-04
Чебоксары (8352)28-53-07
Челябинск (351)202-03-61
Череповец (8202)49-02-64
Чита (3022)38-34-83
Якутск (4112)23-90-97
Ярославль (4852)69-52-93

Киргизия +996(312)96-26-47

<https://isa.nt-rt.ru/> || iah@nt-rt.ru



Pentagram Beta

Solid Surface or Quarz display surface
Piano espositivo in Solid Surface o Quarz



Back-painted glass RAL 7021
Vetro Retroverniciato RAL 7021

- 1. HIZONE ExpoWine | Allestimento vini
- 2. ISA Pentagram Bar Counter
- 3. ISA Pentagram Beta angolare



1.



2.



3.

Pentagram Beta



Perfect integration

Integration and flexibility. These are the keywords of Pentagram Beta, which offers perfect visual alignment and display flexibility to the entire Pentagram bar counter collection.

The Flat display enhances any type of product, even those of small dimensions. Totally customisable both externally and inside the tub with materials of the highest aesthetic and technical performance.

Available Plug-in or Remote, in the linear version with lengths from 100 to 200 cm (25 cm pitch) and 150 cm in the left or right end version.

TN RV Ventilated Chiller

+4°C/+8°C

Display case with ventilated refrigeration and automatic defrost by stopping the compressor and positive temperature. Ideal for fresh products, pastry and beverages.

Also available with Hot plate Dry +4°C/+8°C +65°C/+80°C

TN RV CH Chocolate Chiller

+14°C/+16°C

Display case with ventilated refrigeration and automatic defrost by stopping the compressor and relative humidity control via probe, positive temperature +14°C/+16°C, ideal for chocolate and pralines.

The addition of a dedicated electronic control kit allows humidity to be regulated creating the ideal conditions for maintaining chocolate below 50% relative humidity. The perfect display case for preserving the quality and taste of your creations.

TC S Ventilated with Dry Heated top

+65°C/+80°C

Dry heat display case with positive temperature, ideal for gastronomy and snacks.

The display case is equipped with a hotplate made of scratchproof stratified ceramic with heated glass, which can be easily removed for cleaning thanks to the stainless steel handle. The operating temperature on the hotplate can be adjusted by an electronic control unit up to a maximum of 80°C.

Integrazione perfetta

Integrazione e flessibilità. Queste le parole chiave di Pentagram Beta che offre un perfetto allineamento visivo e flessibilità espositive a tutta la collezione di banchi bar Pentagram.

L'esposizione Flat esalta qualsiasi tipo di prodotto, anche di dimensioni contenute. Totalmente personalizzabile sia esternamente che nell'interno vasca con materiali di altissime performance estetiche e tecniche.

Disponibile Plug-in o Remota, Nella versione lineare con lunghezze da 100 a 200 cm (passo da 25 cm) e 150 cm nella versione terminale SX o DX.

TN RV Ventilata

+4°C/+8°C

Vetrina a refrigerazione ventilata a temperatura positiva con sbrinamento automatico per fermata compressore. Ideale per prodotti freschi, gastronomia, pasticceria e beverage.

Disponibile anche con Piano Caldo Secco +4°C/+8°C +65°C/+80°C

TN RV CH Ventilata Praline

+14°C/+16°C

Vetrina a refrigerazione ventilata con sbrinamento automatico per fermata compressore e controllo dell'umidità relativa tramite sonda, temperatura positiva. L'ideale per cioccolato e praline.

L'aggiunta di un kit elettronico dedicato, permette la regolazione dell'umidità creando le condizioni ottimali per mantenere il cioccolato al di sotto del 50% di umidità relativa. La vetrina perfetta per preservare intatta la qualità e il gusto delle vostre creazioni.

TC S Tavola Calda Secco

+65°C/+80°C

La vetrina ospita un piano caldo realizzato in ceramica antigraffio stratificata con vetro riscaldato, facilmente estraibile per la pulizia grazie alla maniglia in acciaio inox. La temperatura di esercizio sul piano caldo è regolabile tramite centralina elettronica fino ad un massimo di 80°C.



Pentagram Beta

Flat
exposition

The Flat display enhances products, even small ones, on a continuous display surface made of Solid Surface that can be highly customised. The shelves are adjustable to three positions with a 20 mm pitch and can accommodate 60x40 cm trays (not supplied).

Esposizione
Flat

L'esposizione Flat esalta i prodotti, anche di piccole dimensioni, su un piano espositivo continuo realizzato in Solid surface altamente personalizzabile. I piani sono regolabili a tre posizioni con passo di 20 mm in grado di ricevere vassoi 60x40 cm (non forniti).





- 1. HIZONE Gourmet
- 2. ISA Pentagram Bar Counter
- 3. ISA Pentagram Beta lineare
- 3. ISA Pentagram Cella

Pentagram Beta

H 117

D 86

L 100 • 125 • 150 • 175 • 200

Pastry • Chocolate • Hot plate

Installation

- Plug-in
- Remote (optional)

Temperature

- +4/+8 °C (Pastry)
- +14/+16 °C (Chocolate)
- +65 °C (Hot plate)

Refrigerant

R290

Refrigeration

Ventilated

Compressor

Hermetic

Defrost

Off cycle

Climatic class

3

Glass structure

Extra clear glued glass case with LED lights and sliding doors

Rear closing system

Plexiglass sliding doors

Inside finish

Solid surface or quartz

Lighting

LED 5700 K

Equipment handling

Height adjustable feet

Installazione

- Plug-in
- Remoto (optional)

Temperatura

- +4/+8 °C (Pasticceria)
- +14/+16 °C (Pralineria)
- +65 °C (Piano caldo)

Refrigerante

R290

Refrigerazione

Ventilata

Compressore

Ermetico

Sbrinamento

Fermata compressore

Classe Climatica

3

Castello vetri

Teca fissa in vetro extra chiaro con illuminazione LED e scorrevoli

Chiusura posteriore

Scorrevoli in plexiglass

Piano espositivo

Superficie solida o quarzo

Illuminazione

LED 5700 K

Movimentazione

Piedini regolabili in altezza



Drop-in exposition version
Versione con esposizione Drop-in

100			125		
RV TN	RV CH	TCS	RV TN	RV CH	TCS

External dimensions (LxDxH) Dimensioni esterne (LxPxH)	without side panels senza fianchi			1000x880x1170mm			1250x880x1170mm		
	with side panels con fianchi			1100x880x1170mm			1350x880x1170mm		
Capacity (gross/net) Capacità (lorda/netta)	-			-			-		
Net weight Peso netto	-			-			-		
Refrigeration Refrigerazione	Ventilated Ventilata			-			Ventilated Ventilata		
Refrigerant Refrigerante	R290			-			R290		
Climate class Classe climatica				3					
Operating conditions Condizioni ambientali				25 °C / 60 %RH					
Energy Class Classe energetica	A F			A G					
Product temperature Temperatura prodotto	+4/+8 °C	+14/+16 °C	+65/+80 °C	+4/+8 °C	+14/+16 °C	+65/+80 °C			
Compressor (q.ty - type) Compressore (q.tà - tipologia)	1 - Hermetic 1 - Ermetico			-			1 - Hermetic 1 - Ermetico		
Defrost Sbrinamento	Off Cycle Fermata compressore			-			Off Cycle Fermata compressore		
Power supply Alimentazione				230 V / 1 Ph / 50 Hz					
Electrical input (nominal) Assorbimento elettrico (regime)	411 W / 2,1 A	595 W / 2,7 A	740W / 3,6 A	418 W / 3 A	502 W / 2,7 A	930 W / 04,5 A			
Electrical input (defrost) Assorbimento elettrico (sbrinamento)	242 W / 1,3 A			-			229 W / 1,3 A		

Technical sheet refers to models with internal air cooled condensing unit
Dati tecnici riferiti a modelli con unità a bordo con condensazione ad aria

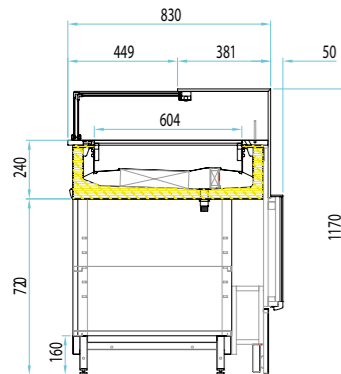
Setup
Allestimento

Bottom shelf (LxD) Ripiano di fondo (LxP)	980 x 602 mm			1239 x 602 mm		
---	--------------	--	--	---------------	--	--

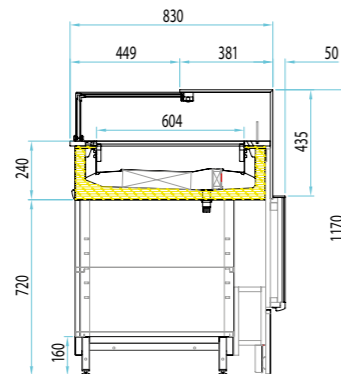
150			175			200		
RV TN	RV CH	TCS	RV TN	RV CH	TCS	RV TN	RV CH	TCS

1500x880x1170mm			1750x880x1170mm			2000x880x1170mm		
1600x880x1170mm			1850x880x1170mm			2100x880x1170mm		
-			-			-		
-			-			-		
Ventilated Ventilata			-			Ventilated Ventilata		
R290			-			R290		
			3					
			25 °C / 60 %RH					
A G			A G					
+4/+8 °C	+14/+16 °C	+65/+80 °C	+4/+8 °C	+14/+16 °C	+65/+80 °C	+4/+8 °C	+14/+16 °C	+65/+80 °C
1 - Hermetic 1 - Ermetico			-			1 - Hermetic 1 - Ermetico		
Off Cycle Fermata compressore			-			Off Cycle Fermata compressore		
			230 V / 1 Ph / 50 Hz					
498 W / 3 A	597 W / 3,2 A	1120 W / 5,4 A	504 W / 3,6 A	603 W / 3,3 A	1320 W / 6,4 A	567 W / 4,1 A	788 W / 4,3 A	1500 W / 7,2 A
307 W / 1,6 A			-			450 W / 2,4 A		

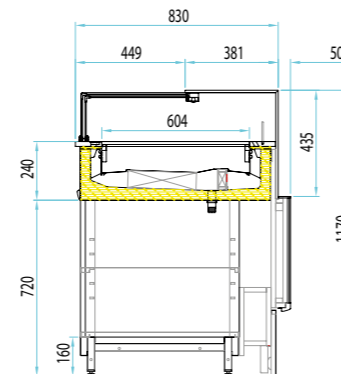
1480 x 602 mm			1730 x 602 mm			1980 x 602 mm		
---------------	--	--	---------------	--	--	---------------	--	--



RV CH Chocolate Chiller
RV CH Ventilata Praline



RV Ventilated Chiller
RV Ventilata



TC S Dry Heated
TC S Tavola Calda Secca

Pentagram Beta TSX-TDX

H 117

D 86

L 100 • 125 • 150 • 175 • 200

Pastry • Chocolate • Hot plate

Installation

- Plug-in
- Remote (optional)

Temperature

- +4/+8 °C (Pastry)
- +14/+16 °C (Chocolate)
- +65 °C (Hot plate)

Refrigerant

R290

Refrigeration

Ventilated

Compressor

Hermetic

Defrost

Off cycle

Climatic class

3

Glass structure

Extra clear glued glass case with LED lights and sliding doors

Rear closing system

Plexiglass sliding doors

Inside finish

Solid surface or quartz

Lighting

LED 5700 K

Equipment handling

Height adjustable feet

Installazione

- Plug-in
- Remoto (optional)

Temperatura

- +4/+8 °C (Pasticceria)
- +14/+16 °C (Pralineria)
- +65 °C (Piano caldo)

Refrigerante

R290

Refrigerazione

Ventilata

Compressore

Ermetico

Sbrinamento

Fermata compressore

Classe Climatica

3

Castello vetri

Teca fissa in vetro extra chiaro con illuminazione LED e scorrevoli

Chiusura posteriore

Scorrevoli in plexiglass

Piano espositivo

Superficie solida o quarzo

Illuminazione

LED 5700 K

Movimentazione

Piedini regolabili in altezza



Pentagram Beta

TDX			TSX		
RV TN	RV CH	RV TN / TCS	RV TN	RV CH	RV TN / TCS

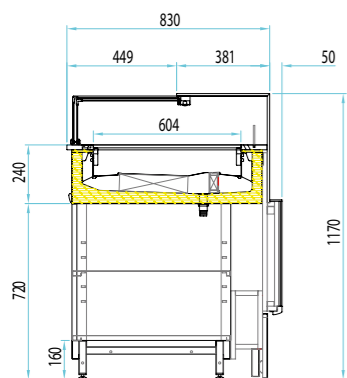
External dimensions (LxDxH) Dimensioni esterne (LxPxH)	without side panels senza fianchi	1580x880x1170mm			1580x880x1170mm		
	with side panels con fianchi	1630x930x1170mm			1630x930x1170mm		
Capacity (gross/net) Capacità (lorda/netta)	-			-			
Net weight Peso netto	210 kg			215 kg			
Refrigeration Refrigerazione	Ventilated Ventilata		-	Ventilated Ventilata		-	
Refrigerant Refrigerante	R290			R290			
Climate class Classe climatica	3						
Operating conditions Condizioni ambientali	25 °C / 60 %RH						
Energy Class Classe energetica	G						
Product temperature Temperatura prodotto	+4/+8 °C	+14/+16 °C	+65/+80 °C	+4/+8 °C	+14/+16 °C	+65/+80 °C	
Compressor (q.ty - type) Compressore (q.tà - tipologia)	1 - Hermetic 1 - Ermetico		-	1 - Hermetic 1 - Ermetico		-	
Defrost Sbrinamento	Off Cycle Fermata compressore		-	Off Cycle Fermata compressore		-	
Power supply Alimentazione	230 V / 1 Ph / 50 Hz						
Electrical input (nominal) Assorbimento elettrico (regime)	418 W / 3 A	502 W / 2,7 A	930 W / 0,4,5 A	418 W / 3 A	502 W / 2,7 A	930 W / 0,4,5 A	
Electrical input (defrost) Assorbimento elettrico (sbrinamento)	229 W / 1,3 A		-	229 W / 1,3 A		-	

Technical sheet about models whit condensing unit included with air cooled
Dati tecnici riferiti a modelli con unità a bordo con condensazione ad aria

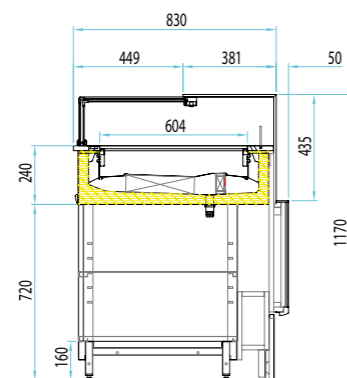
Setup

Allestimento

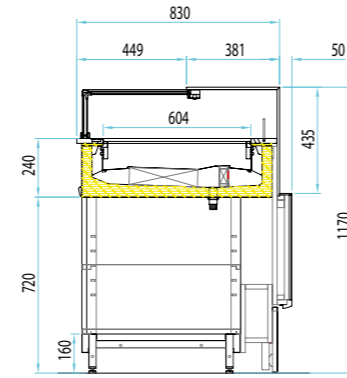
Bottom shelf (LxD) Ripiano di fondo (LxP)	1480 x 602 mm			1480 x 602 mm		
---	---------------	--	--	---------------	--	--



RV CH Chocolate Chiller
RV CH Ventilata Praline



RV Ventilated Chiller
RV Ventilata



TC S Dry Heated
TC S Tavola Calda Secca

Pentagram Beta

Stone

Frontal panel



Plain Liscio



Ceppo di Grè



Brera



Grigio Carnico



Golden White



Imperiale



Elegant

Solid Surface

Frontal panel
Top/Piani



Plain Liscio

Milled Fresato



Cristal Black



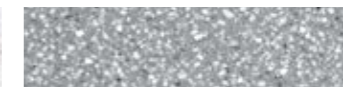
Messina



Etna



Marmo bianco T102



Grigio classico T905



Grafite classico T901

Quartz

Top/Piani



Plain Liscio



Ardenne



City dark



City grey



Acciaio inox AISI 304



Lyskamm



Sabbia beige

Woods & Colors

Frontal panel



Plain Liscio

Milled Fresato



HZE-03 Oak - Rovere



HZE-04 Dark Oak - Rovere Scuro



HZE-05 Teak



RAL on demand
(ex.18-5338 TCX Ultramarine Green)



RAL 9013 White / RAL 9005 Black



Metallic paint

Profile, legs and bases

Varnish

Profili, gambe e basamenti
Vernice



Blu Grigio



Elox Bronzo



Grigio Peltro



Bronzo Rame



Bruno Oliva



Black RAL 9005

Алматы (727)345-47-04
Ангарск (3955)60-70-56
Архангельск (8182)63-90-72
Астрахань (8512)99-46-04
Барнаул (3852)73-04-60
Белгород (4722)40-23-64
Благовещенск (4162)22-76-07
Брянск (4832)59-03-52
Владивосток (423)249-28-31
Владикавказ (8672)28-90-48
Владимир (4922)49-43-18
Волгоград (844)278-03-48
Вологда (8172)26-41-59
Воронеж (473)204-51-73
Екатеринбург (343)384-55-89

Иваново (4932)77-34-06
Ижевск (3412)26-03-58
Иркутск (395)279-98-46
Казань (843)206-01-48
Калининград (4012)72-03-81
Калуга (4842)92-23-67
Кемерово (3842)65-04-62
Киров (8332)68-02-04
Коломна (4966)23-41-49
Кострома (4942)77-07-48
Краснодар (861)203-40-90
Красноярск (391)204-63-61
Курск (4712)77-13-04
Курган (3522)50-90-47
Липецк (4742)52-20-81

Магнитогорск (3519)55-03-13
Москва (495)268-04-70
Мурманск (8152)59-64-93
Набережные Челны (8552)20-53-41
Нижний Новгород (831)429-08-12
Новокузнецк (3843)20-46-81
Ноябрьск (3496)41-32-12
Новосибирск (383)227-86-73
Омск (3812)21-46-40
Орел (4862)44-53-42
Оренбург (3532)37-68-04
Пенза (8412)22-31-16
Петрозаводск (8142)55-98-37
Пермь (342)205-81-47

Ростов-на-Дону (863)308-18-15
Рязань (4912)46-61-64
Самара (846)206-03-16
Санкт-Петербург (812)309-46-40
Саратов (845)249-38-78
Севастополь (8692)22-31-93
Саранск (8342)22-96-24
Симферополь (3652)67-13-56
Смоленск (4812)29-41-54
Сочи (862)225-72-31
Ставрополь (8652)20-65-13
Сургут (3462)77-98-35
Сыктывкар (8212)25-95-17
Тамбов (4752)50-40-97
Тверь (4822)63-31-35

Тольятти (8482)63-91-07
Томск (3822)98-41-53
Тула (4872)33-79-87
Тюмень (3452)66-21-18
Ульяновск (8422)24-23-59
Улан-Удэ (3012)59-97-51
Уфа (347)229-48-12
Хабаровск (4212)92-98-04
Чебоксары (8352)28-53-07
Челябинск (351)202-03-61
Череповец (8202)49-02-64
Чита (3022)38-34-83
Якутск (4112)23-90-97
Ярославль (4852)69-52-93

Россия +7(495)268-04-70

Казахстан +7(727)345-47-04

Беларусь +375)257-127-884

Узбекистан +998(71)205-18-59

Киргизия +996(312)96-26-47